

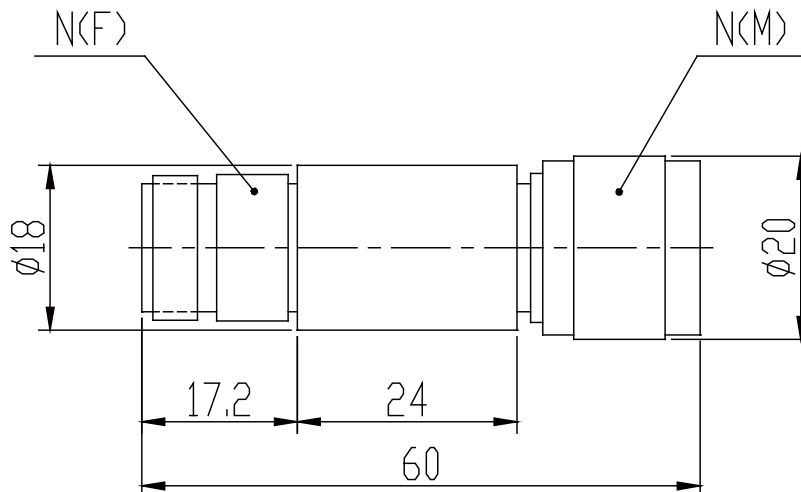
N TYPE DC-BLOCK (18G)

Specification of the N type DC-BLOCK(10MHz-18000MHz):

Model	DB-200V/18G-NMF
Frequency range, MHz	10MHz-18GHz
Insertion Loss, dB	≤0.50dB
DC- Block Voltage	200V DC
VSWR	1.35
Impedance	50Ω
Input Power	100W
Temperature range	-55°C ~ +100°C
Connectors	N/Male – N/ Female *
Weight	70g
Dimensions	Φ20X60

* Can Custom Made with SMA,4.3/10 or 7/16(DIN) Connector.

Product Dimensions:



Note: The picture and the specification are just for reference. Be subject to the actual products if anything different or updated, Please pardon for without notice.